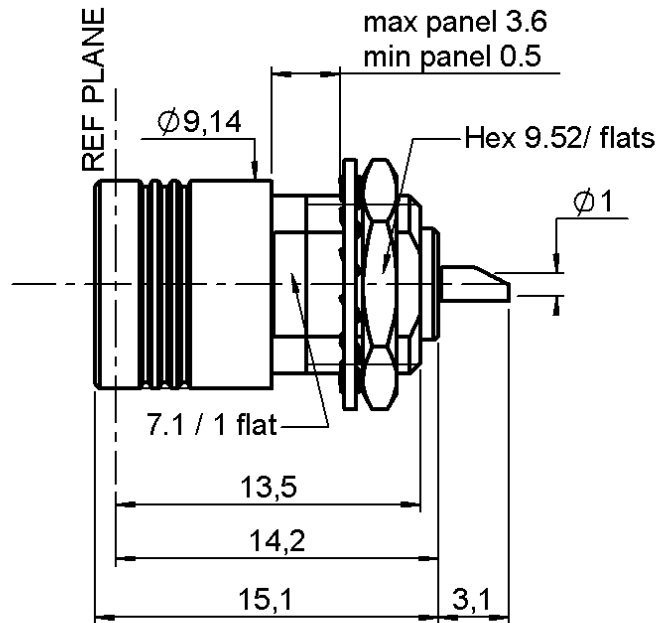


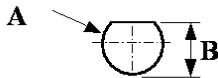
FEMALE BULKHEAD RECEPTACLE FRONT MOUNT.

R214.556.000

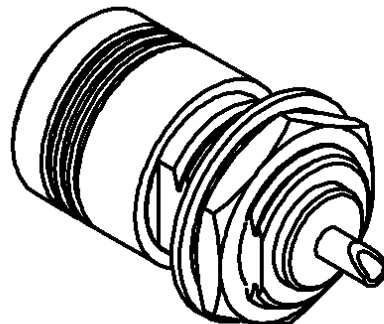
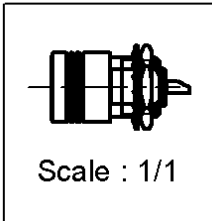
Series : SMZ



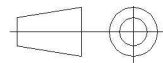
PANEL CUT OUT



mm		
	Maxi	mini
A	8.04	7.94
B	7.5	7.4



All dimensions are in mm.



COMPONENTS	MATERIALS	PLATINGS (μm)
BODY	BRASS	GOLD 0.2 OVER NICKEL 2
CENTER CONTACT	BERYLLIUM COPPER	GOLD 2 OVER NICKEL 2.54
OUTER CONTACT	BERYLLIUM COPPER	GOLD 0.5 OVER NICKEL 2
INSULATOR	PTFE	
GASKET	-	
OTHERS PARTS	BRASS	GOLD 0.2 OVER NICKEL 2
-	-	-
-	-	-

Issue : 0423 B

In the effort to improve our products, we reserve the right to make changes judged to be necessary.



FEMALE BULKHEAD RECEPTACLE FRONT MOUNT.

R214.556.000

Series : SMZ

PACKAGING

SPECIFICATION

Standard	Unit	Other
1	-	Contact us

ELECTRICAL CHARACTERISTICS

ENVIRONMENTAL

Impedance **75** Ω
 Frequency **0-2.4** GHz
 VSWR **NA** + **0.000** x F(GHz) Maxi
 Insertion loss **NA** √F(GHz) dB Maxi
 RF leakage - (**60** - F(GHz)) dB Maxi
 Voltage rating **500** Veff Maxi
 Dielectric withstanding voltage **1500** Veff mini
 Insulation resistance **500** MΩ mini

Operating temperature **-55/+155** ° C
 Hermetic seal **NA** Atm.cm3/s
 Panel leakage **NA**

OTHERS CHARACTERISTICS

Assembly instruction **NA**

Others :
-

MECHANICAL CHARACTERISTICS

Center contact retention
 Axial force – Mating end **10** N mini
 Axial force – Opposite end **10** N mini
 Torque **NA** N.cm mini

Recommended torque
 Mating **NA** N.cm
 Panel nut **170** N.cm

Mating life **250** Cycles mini
 Weight **4.654** g

Issue : 0423 B

In the effort to improve our products, we reserve the right to make changes judged to be necessary.

